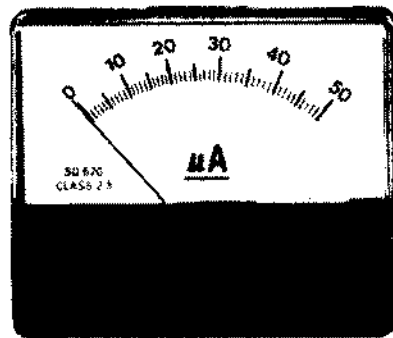
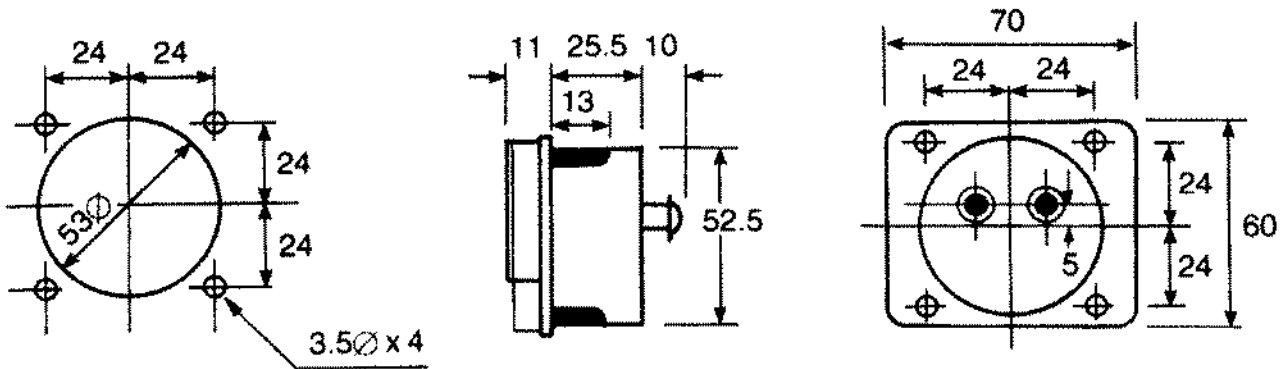


Moving Coil Meters

Photograph



Technical Drawing



Information

Type	Coil Resistance (Ω)
50μA	1,500
0 - 100μA	1,200
0 - 1mA	57
0 - 100mA	57
0 - 3mA	57
0 - 30Vdc	57